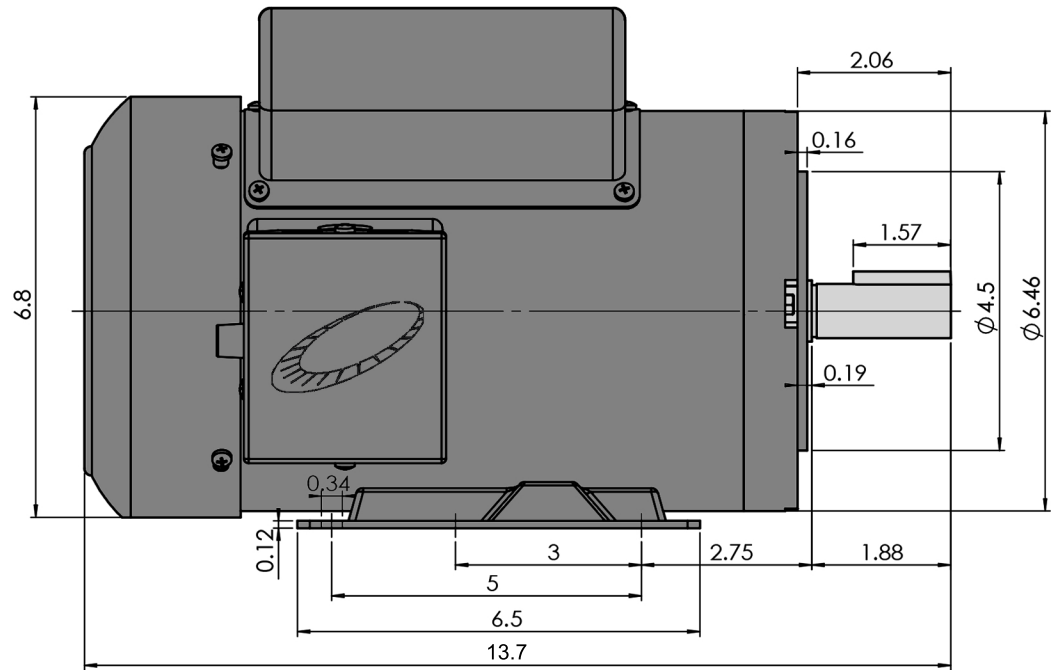
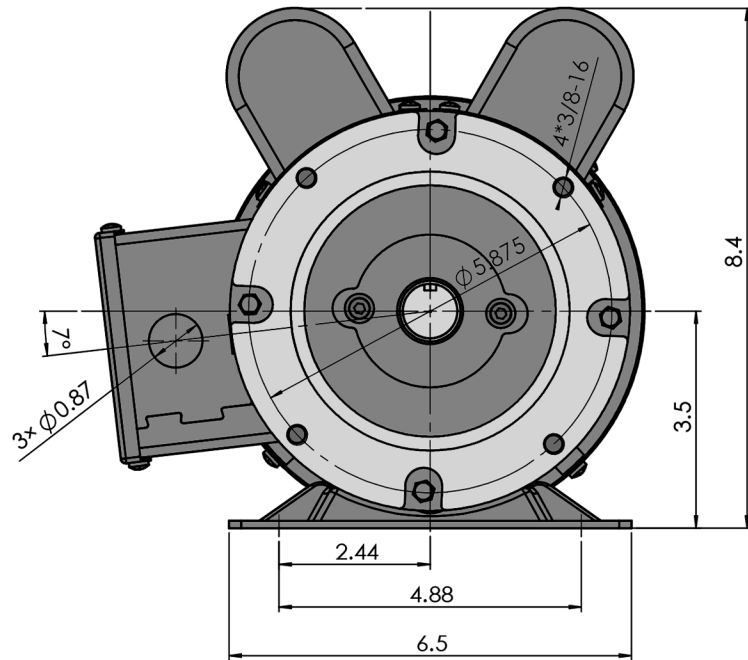
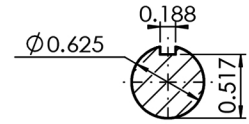


# MaxMotion



Version:2HUA	Revised: July 2020	HP	RPM	FRAME	ENCLOSURE
Customer is responsible in determining that MaxMotion product will fit/perform suitably in the intended application		2	1800	56HC	TEFC

## MTR-204FDCH